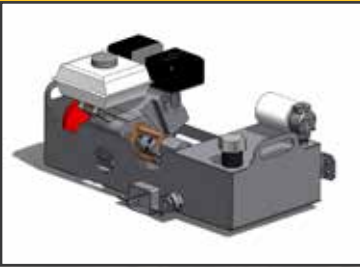
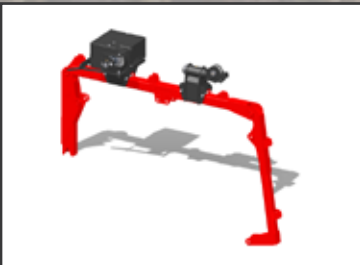


OPTIONS



Hydraulic Power Unit



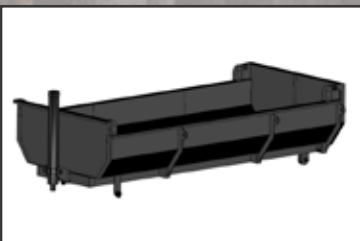
4000 lb Hydraulic Boom Winch



6000 lb Hydraulic Winch



12" - 14" - 18" Bucket



24" x 84" Gravel Bin

TECHNICAL DATA - COMPACT SERIES

LOADER MODEL	90-HD	95-HD	105-HD
RECOMMENDED VEHICLE	ATV / QUAD STARTING AT 400 cc	COMPACT TRACTORS 15 hp - 30 hp	COMPACT TRACTORS 20 hp - 40 hp
Boom length	9'	10'6"	10'6"
Boom rotation swing	270°	270°	270°
Loader column height	36"	52"	53"
Lifting capacity at maximum reach	600 lb.	650 lb.	650 lb.
Lifting capacity at mid range	1,200 lb.	1,300 lb.	1,300 lb.
Recommended flow	3 - 4 gpm	3 - 4 gpm	3 - 4 gpm
Stabilizers	butterfly	butterfly	telescopic
Grapple open	28"	28"	28"
Grapple close	3"	3"	3"
Grapple rotation (continuous)	360°	360°	360°
Rotator maximum capacity	1,000 kg.	1,000 kg.	1,000 kg.
Total weight (without trailer and without hydraulic power unit)	600 lb.	720 lb.	850 lb.
LOADER OPTIONS			
Hydraulic winch	4,000 lb.	4,000 lb.	4,000 and 6,000 lb.
Power unit (Honda)	5.5 hp.	5.5 hp.	5.5 hp.
Bucket	12"	14" or 18"	14" or 18"
TRAILER MODEL			
Load length	without winch	8'	9'
	* with winch on frame	7' *	
Overall length	12'	14' 6"	
Overall width	52"	58"	
Standard tire dimensions	25-10-12, 6 ply	11L15, 8 ply	
Protective grid	included	included	
Number of posts	8	8	
24" movable axle	hydraulic	manual/hydraulic	
Axle load capacity, each	3,500 lb.	3,500 lb.	
Fixed drawbar for 2" ball	included	n/a	
Trailer weight	635 lb.	850 lb.	
Gross trailer weight	2 tons / 4,000 lb.	4 tons / 8,000 lb.	
TRAILER OPTIONS			
Gravel bin	7'	8'	
Skis	available	available	
Optional tires	n/a	n/a	

We reserve the right to change specifications and to improve our products without notice.

Pn: 108-000-001 v20220204-EN - Designed by Expressions Grafik



WOODY LOG LOADERS

COMPACT SERIES

Models: 90-HD, 95-HD, 105-HD



Woody Equipment

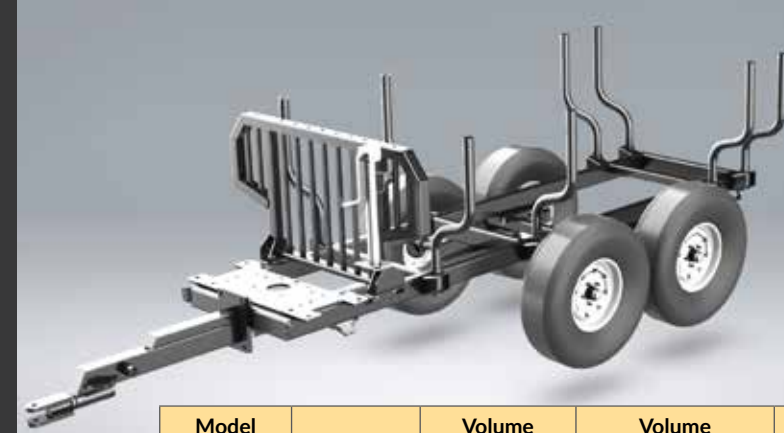
Woody Equipment designs and manufactures robust and high quality forestry and agricultural equipment.



Compact Series



8-52



9-58



9-58

Model		Volume ft ³	Volume cords of 8' wood	Length of rack	Length overall, without pole	Width overall, ext. wheels	Weight
9-58	30-020	75.8	0.30	8'10"	10'11"	5'	1,642 lb

WOODY LOG LOADERS

The Woody Log Loaders Compact Series are both lightweight and powerful and are designed for ATVs starting at 400 cc as well as for compact tractors from 15 hp to 40 hp.

equipmentswoody.com



The 90-HD Woody Log Loader is designed for ATVs of 400 cc or more and for small tractors. Its 63" low profile design is ideal for working in the sugar bush; it allows you to go under the tubes in several areas without the need of dismantling them. It has a 9' reach and a lifting capacity of 600 lb at maximum reach. The 90-HD loader comes installed with its own hydraulic unit, which eliminates the need for an auxiliary oil port.

It is mounted on an 8-52 trailer.



Both lightweight and powerful, the 95-HD Log Loader is designed for most compact tractors of 15 hp to 30 hp. With a 10' reach and a weight of 750 lb, it is the perfect working companion while limiting the impact on your forest.

It is mounted on an 8-58 trailer.



Hydraulic axles



The 105-HD Woody Log Loader is specifically designed for tractors of 20 to 40 hp. With its lowered height and reach of 10'6", this versatile loader, both lightweight and powerful will help you accomplish multiple jobs, whether working in the sugar bush or woodland.

It is mounted on a 9-58 trailer.



equipmentswoody.com